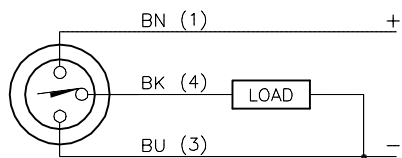
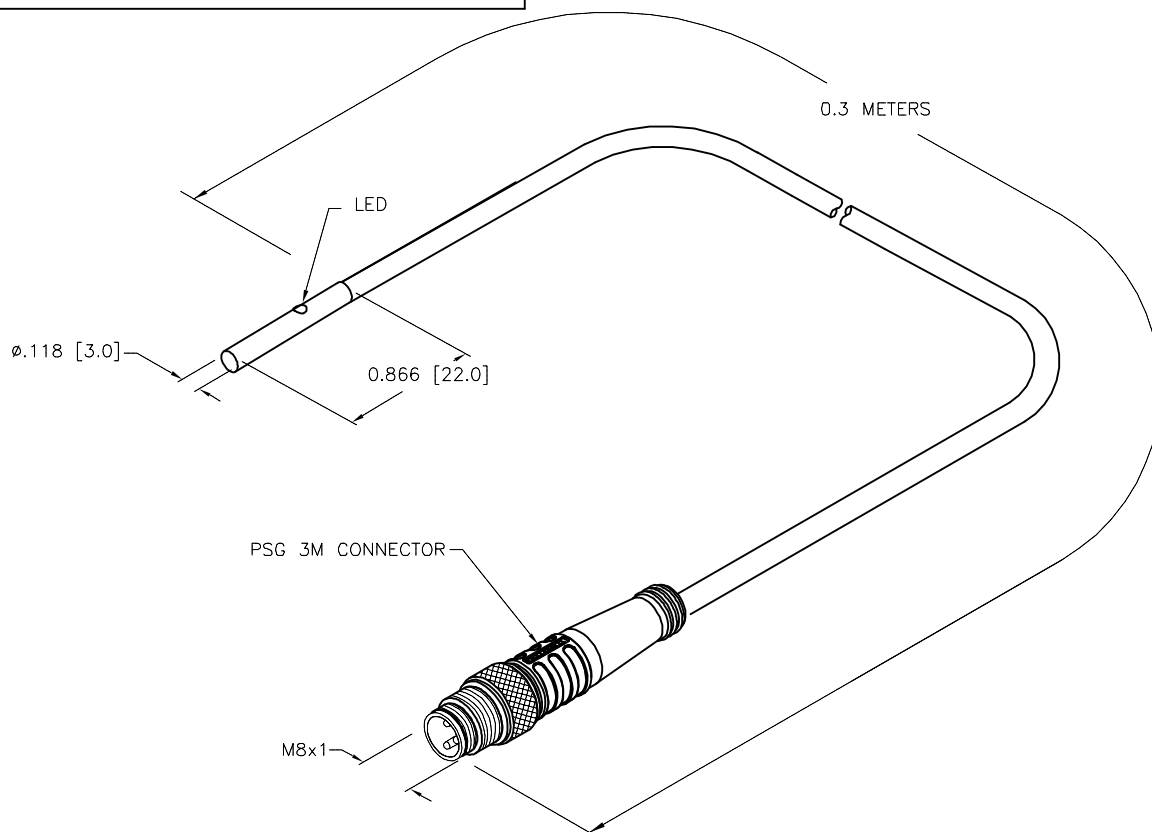


WIRING DIAGRAM



OUTPUT: AP6X

WARNING: NO SHORT-CIRCUIT PROTECTION



SPECIFICATIONS

RATED OPERATING DISTANCE	1 mm [0.039"]
MOUNTING MODE	FLUSH
HYSTERESIS	3-15%
MIN. REPEAT ACCURACY	≤ 2%
MAX. TEMPERTURE DRIFT	≤ ±10%
OPERATING TEMPERATURE	-25°C to +70°C (-13°F to +158°F)
RATED OPERATIONAL VOLTAGE	10-30 VDC
RESIDUAL RIPPLE	≤ 20%
RATED OPERATIONAL CURRENT (DC)	≤ 100 mA
NO LOAD CURRENT	≤ 10 mA
RESIDUAL CURRENT	≤ 0.1 mA
MAX. SWITCHING FREQUENCY	≤ 3 kHz
RATED INSULATION VOLTAGE	≤ 0.5 kV
OUTPUT FUNCTION	3-WIRE, NORMALLY OPEN, PNP
SHORT-CIRCUIT PROTECTED	YES
MAX. VOLTAGE DROP	≤ 2.0 V
WIRE-BREAK PROTECTION	INCORPORATED
REVERSE POLARITY PROTECTION	INCORPORATED
HOUSING MATERIAL	METAL, V2A 1.4301
ACTIVE FACE	PLASTIC, POLYESTER
CABLE	∅2.6, LifY-11Y, TPU
VIBRATION RESISTANCE	55 Hz, 1 mm AMPLITUDE (IN ALL 3 PLANES)
SHOCK RESISTANCE	30 g, 11 ms
DEGREE OF PROTECTION	IP 67
SWITCHING STATUS INDICATION	LED, YELLOW

SOURCE DRAWING - FOR REFERENCE ONLY

RELATED DOCUMENTS 1. 2. 3. 4.	3RD ANGLE PROJECTION 	THIS DRAWING IS CONFIDENTIAL AND THE PROPERTY OF TURCK INC. USE OF THIS DOCUMENT WITHOUT WRITTEN PERMISSION IS PROHIBITED.		3000 CAMPUS DRIVE MINNEAPOLIS, MN 55441 1-800-544-7769 (763) 553-7300 (763) 553-0708 fax www.turck.us		
	MATERIAL	DRFT RDS APVD A.F.	DATE 12/09/16 SCALE 1=1.0	DESCRIPTION B11-EH03-AP6X-0.3-PSG3M		
	FINISH	ALL DIMENSIONS DISPLAYED ON THIS DRAWING ARE FOR REFERENCE ONLY CONTACT TURCK FOR MORE INFORMATION	UNIT OF MEASUREMENT INCH [MILLIMETER]		IDENTIFICATION NO. 1619381	REV B
	DO NOT SCALE THIS DRAWING		FILE: 1619381		SHEET 1 OF 1	

B	UPDATE DESCRIPTION	RDS	10/06/17	62567
REV	DESCRIPTION	BY	DATE	ECO NO.